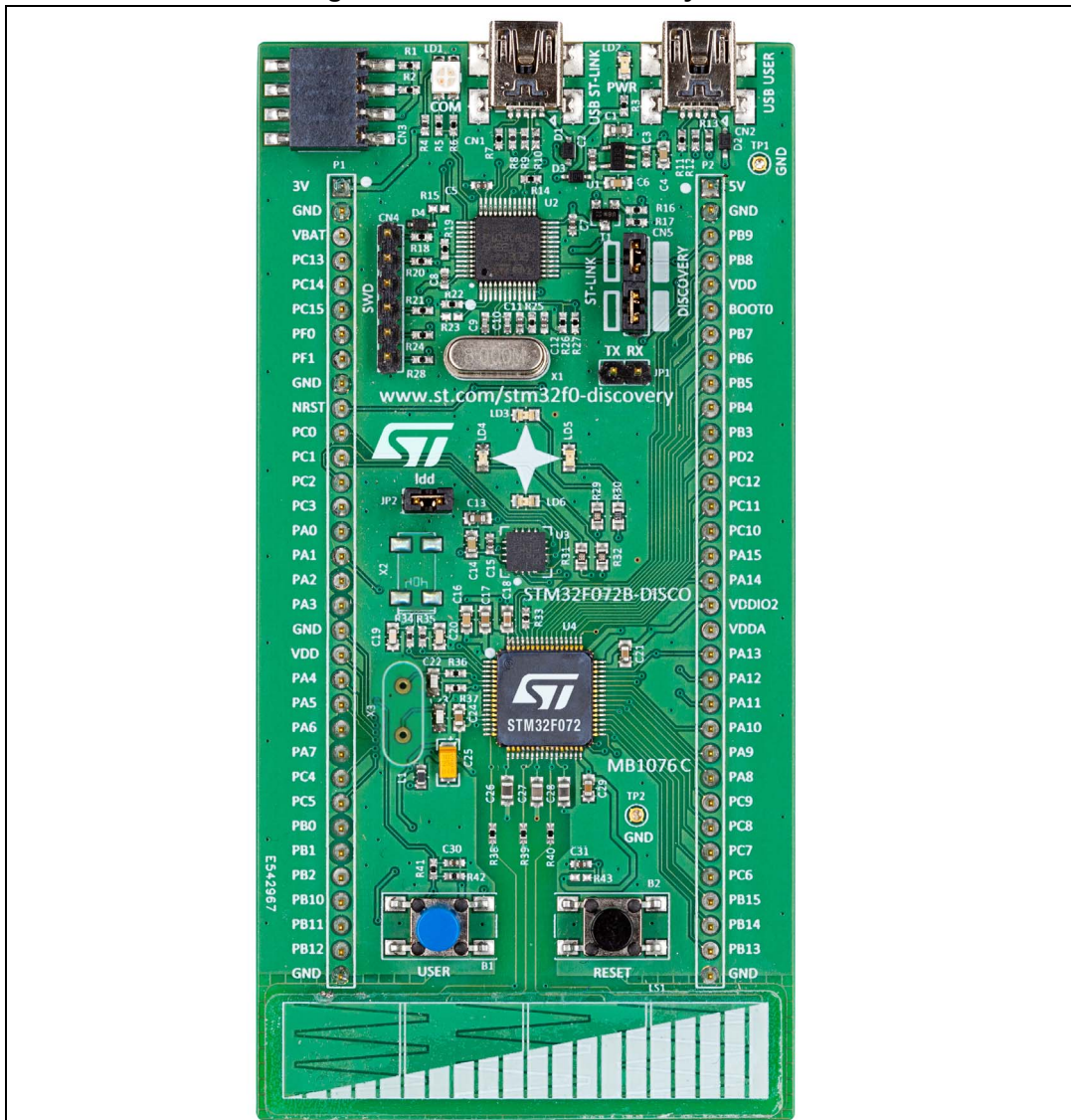


Discovery kit for STM32 F0 series with STM32F072RB MCU

Introduction

The STM32F072 discovery kit (32F072BDISCOVERY) helps you to discover the full features of the STM32F0 series and to develop your applications. It is based on an STM32F072RBT6 and includes an ST-LINK/V2 embedded debug tool interface, ST MEMS Gyroscope, LEDs, pushbuttons, linear touch sensor, touch keys, RF EEPROM connector and a USB mini-B connector.

Figure 1. STM32F072 discovery board



Contents

- 1 Conventions 5**
- 2 Ordering and product information 6**
- 3 Features 7**
- 4 Hardware layout 8**
 - 4.1 Embedded ST-LINK/V2 11
 - 4.1.1 Using ST-LINK/V2 to program/debug the STM32F072 on board 11
 - 4.1.2 Using ST-LINK/V2 to program/debug an external STM32 application .. 12
 - 4.2 Power supply and power selection 13
 - 4.3 LEDs 13
 - 4.4 Pushbuttons 13
 - 4.5 Linear touch sensor / touch keys 14
 - 4.6 USB device support 14
 - 4.7 BOOT0 configuration 14
 - 4.8 Embedded USB Bootloader 14
 - 4.9 Gyroscope MEMS (ST MEMS L3GD20) 15
 - 4.10 JP2 (Idd) 15
 - 4.11 Extension and RF EEprom connector 15
 - 4.12 OSC clock 17
 - 4.12.1 OSC clock supply 17
 - 4.12.2 OSC 32 KHz clock supply 17
 - 4.13 Solder bridges 18
 - 4.14 Extension connectors 19
- 5 Mechanical drawing 24**
- 6 Electrical schematics 25**
- 7 Revision history 30**

List of tables

Table 1.	ON/OFF conventions	5
Table 2.	Jumper states	11
Table 3.	Debug connector CN2 (SWD)	12
Table 4.	Extension and RF EEPROM connector (CN3)	16
Table 5.	Solder bridges	18
Table 6.	MCU pin description versus board function	19
Table 7.	Document revision history	30

List of figures

Figure 1.	STM32F072 discovery board	1
Figure 2.	Hardware block diagram	8
Figure 3.	Top layout	9
Figure 4.	Bottom layout	10
Figure 5.	STM32F072 discovery board connections	11
Figure 6.	ST-Link connections	12
Figure 7.	Extension and RF EEprom connector	15
Figure 8.	STM32F072 discovery board mechanical drawing	24
Figure 9.	STM32F072 discovery board	25
Figure 10.	ST-LINK/V2 (SWD only)	26
Figure 11.	STM32F072RBT6 MCU	27
Figure 12.	MEMS and USB	28
Figure 13.	Linear sensor and pushbutton	29

1 Conventions

[Table 1](#) provides the definition of some conventions used in the present document.

Table 1. ON/OFF conventions

Convention	Definition
Jumper JPx ON	Jumper fitted
Jumper JPx OFF	Jumper not fitted
Solder bridge SBx ON	SBx connections closed by solder
Solder bridge SBx OFF	SBx connections left open

2 Ordering and product information

The STM32F072 discovery is a low-cost and easy-to-use development kit to quickly evaluate and start a development with an STM32F0 series microcontroller.

Before installing and using the product, please accept the Evaluation Product License Agreement from www.st.com/stm32f0-discovery.

For more information on the STM32F072 discovery board and for demonstration software, visit www.st.com/stm32f0-discovery.

To order the discovery kit for the STM32 F0 series, use the order code: STM32F072B-DISCO.

3 Features

The STM32F072 discovery board offers the following features:

- STM32F072RBT6 microcontroller featuring 128 KB of Flash memory, 16 KB of SRAM in an LQFP64 package
- On-board ST-LINK/V2 with selection mode switch to use the kit as a standalone ST-LINK/V2 (with SWD connector for programming and debugging)
- Board power supply: through USB bus or from an external 5 V supply voltage
- External application power supply: 3 V and 5 V
- L3GD20, ST MEMS motion sensor, 3-axis digital output gyroscope
- One linear touch sensor or four touch keys
- Six LEDs:
 - LD1 (red/green) for USB communication
 - LD2 (red) for 3.3 V power on
 - Four user LEDs: LD3 (orange), LD4 (green), LD5 (red) and LD6 (blue)
- Two pushbuttons (user and reset)
- USB USER with Mini-B connector
- RF EEprom daughter board connector
- Extension header for LQFP64 I/Os for a quick connection to the prototyping board and easy probing

4 Hardware layout

The STM32F072 discovery board has been designed around the STM32F072RBT6 microcontroller in a 64-pin LQFP package.

Figure 2 illustrates the connections between the STM32F072RBT6 and its peripherals (ST-LINK/V2, ST MEMS gyroscope L3GD20, LEDs, pushbuttons, linear touch sensor, touch keys, RF EEprom connector and a USB mini-B connector).

Figure 3 and *Figure 4* help you to locate these features on the STM32F072 discovery board.

Figure 2. Hardware block diagram

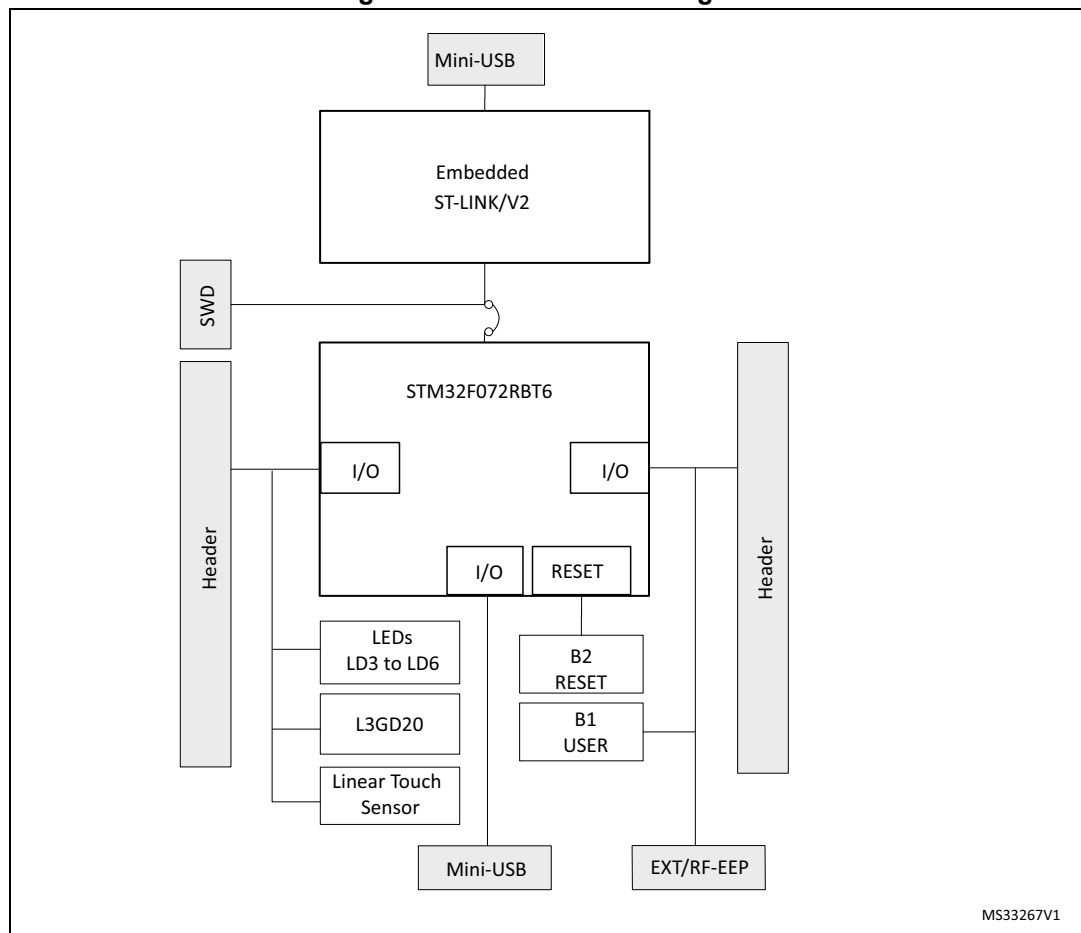
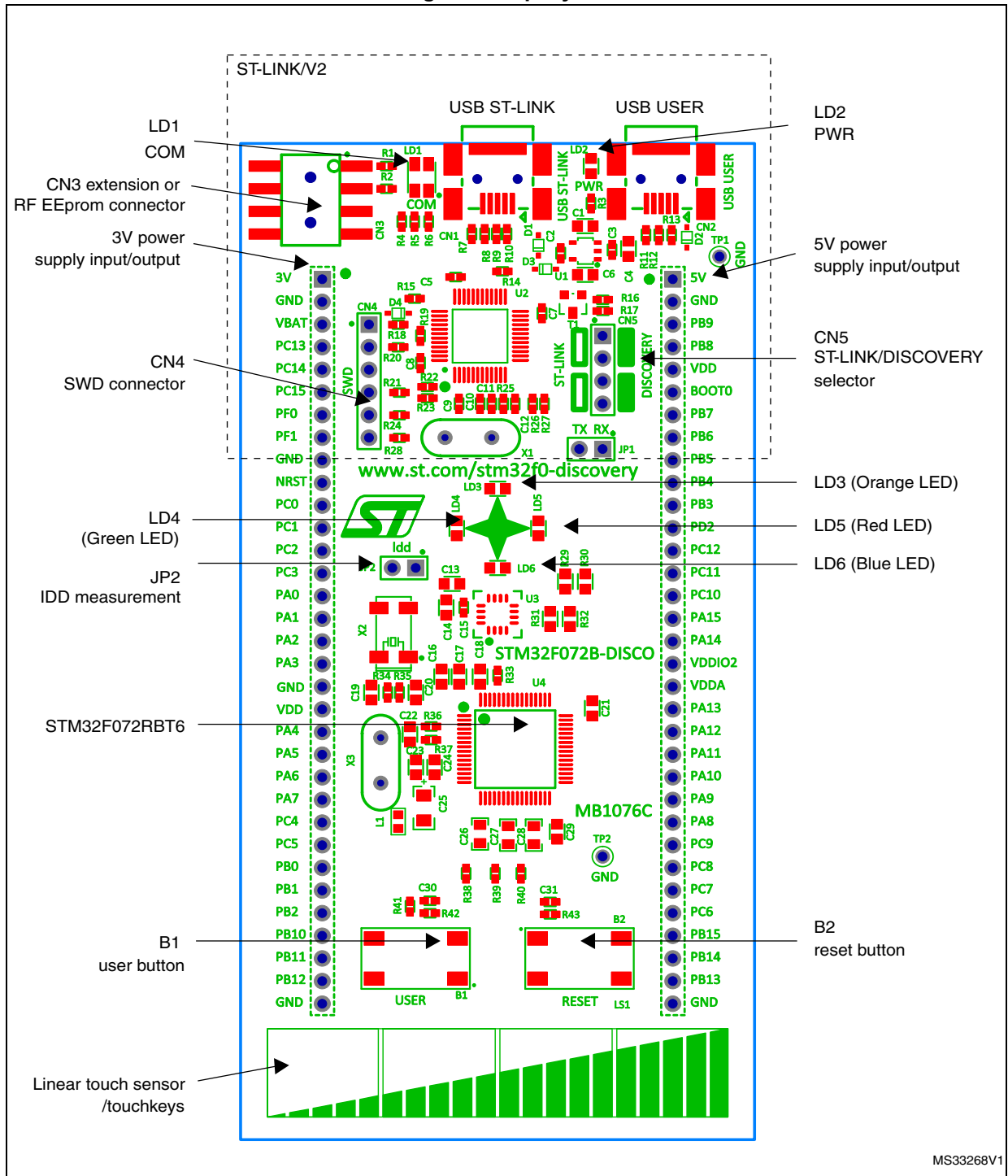
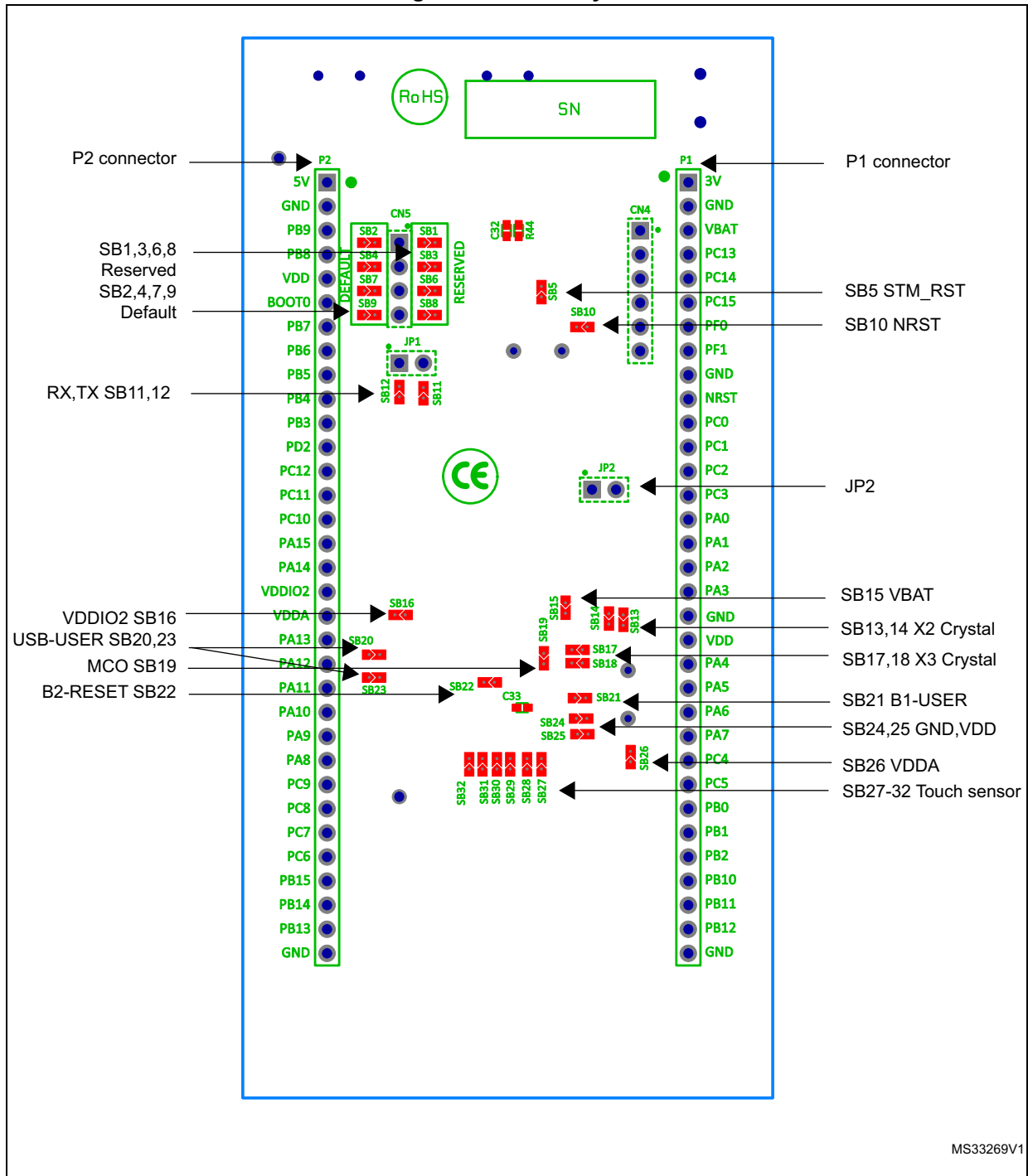


Figure 3. Top layout



MS33268V1

Figure 4. Bottom layout



MS33269V1

4.1 Embedded ST-LINK/V2

The ST-LINK/V2 programming and debugging tool is integrated on the STM32F072 discovery board. The embedded ST-LINK/V2 can be used in 2 different ways according to the jumper states (see [Table 2](#)):

- Program/debug the MCU on board,
- Program/debug an MCU in an external application board using a cable connected to SWD connector CN4.

The embedded ST-LINK/V2 supports only SWD for STM32 devices. For information about debugging and programming features, refer to user manual UM1075 (ST-LINK/V2 in-circuit debugger/programmer for STM8 and STM32) which describes in detail all the ST-LINK/V2 features.

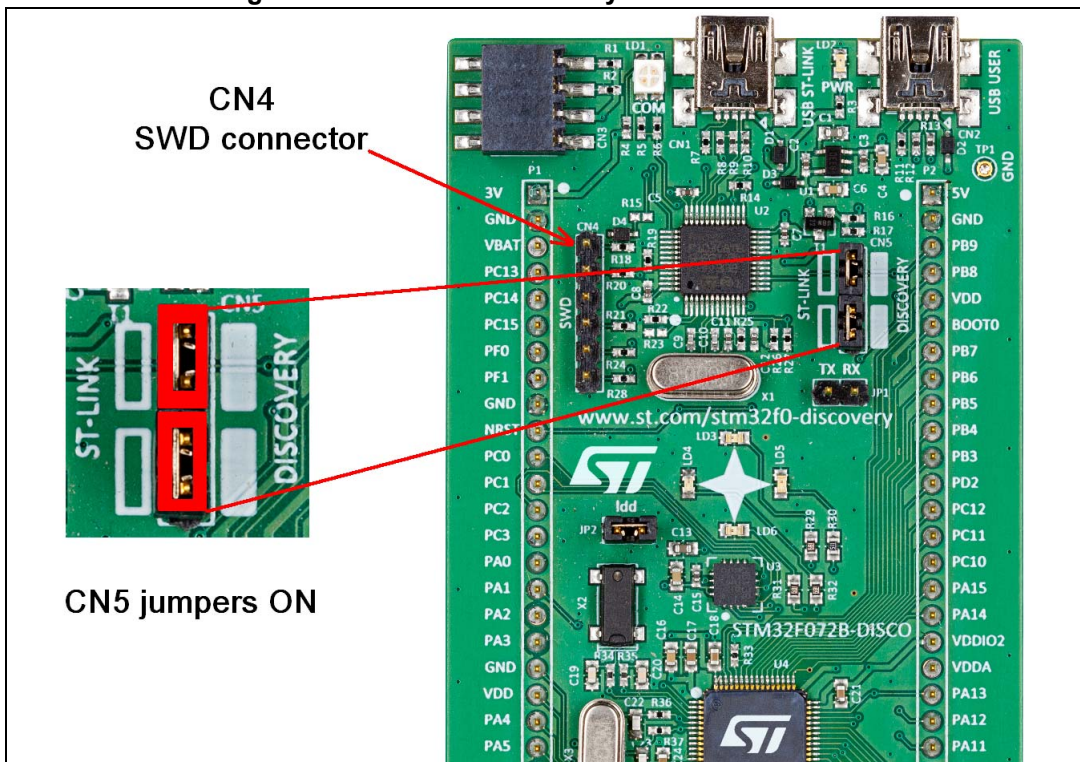
Table 2. Jumper states

Jumper state	Description
Both CN5 jumpers ON	ST-LINK/V2 functions enabled for on board programming (default)
Both CN5 jumpers OFF	ST-LINK/V2 functions enabled for application through external CN4 connector (SWD supported)

4.1.1 Using ST-LINK/V2 to program/debug the STM32F072 on board

To program the STM32F072 on board, simply plug in the two jumpers on CN5, as shown in [Figure 5](#) in red, but do not use the CN4 connector as that could disturb communication with the STM32F072RBT6 of the STM32F072 discovery board.

Figure 5. STM32F072 discovery board connections



4.1.2 Using ST-LINK/V2 to program/debug an external STM32 application

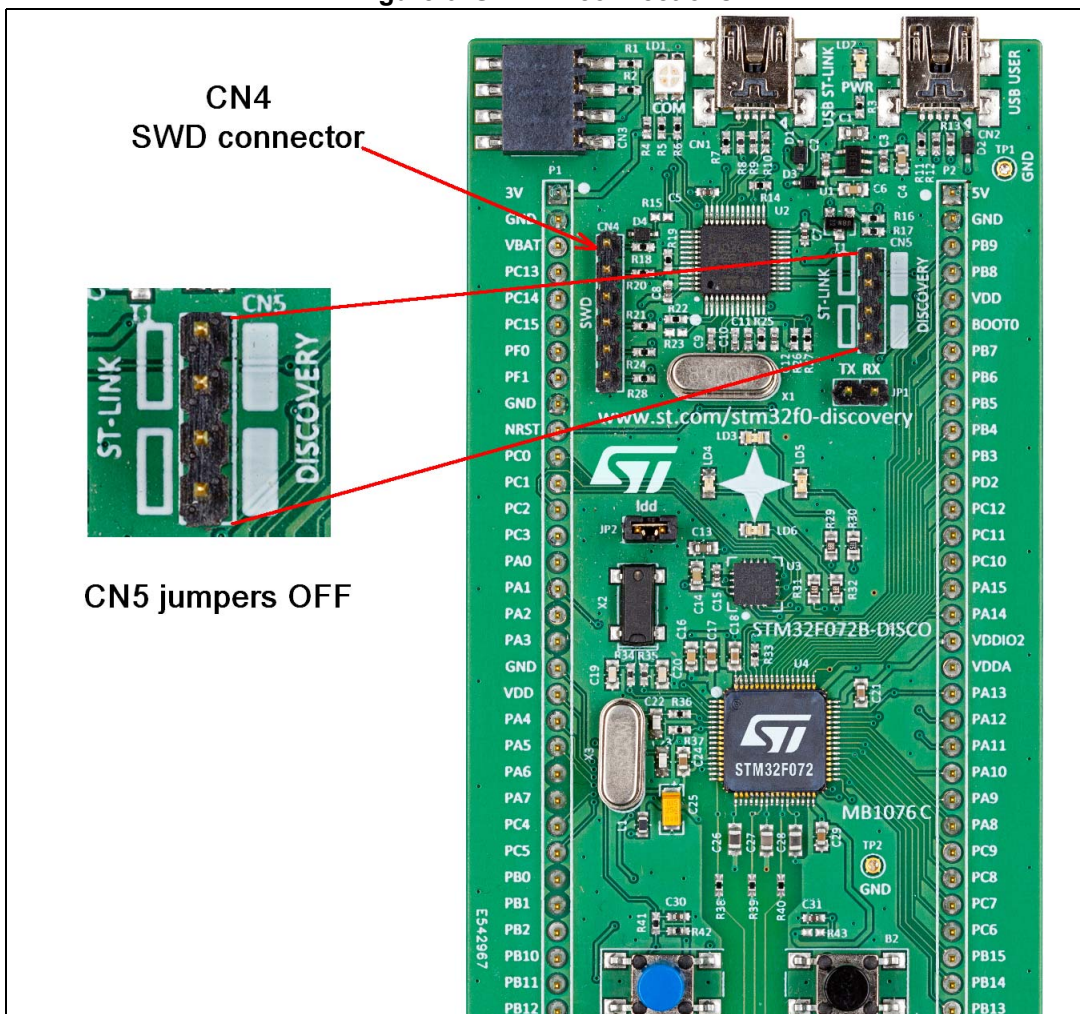
It is very easy to use the ST-LINK/V2 to program the STM32 on an external application. Simply remove the 2 jumpers from CN5 as shown in [Figure 6](#), and connect your application to the CN4 debug connector according to [Table 3](#).

Note: SB10 must be OFF if you use CN4 pin 5 in your external application.

Table 3. Debug connector CN2 (SWD)

Pin	CN2	Designation
1	VDD_TARGET	VDD from application
2	SWCLK	SWD clock
3	GND	Ground
4	SWDIO	SWD data input/output
5	NRST	RESET of target MCU
6	SWO	Reserved

Figure 6. ST-Link connections



4.2 Power supply and power selection

The power supply is provided either by the host PC through the USB ST-LINK or USB USER connector, or by an external 5 V power supply.

The D1 and D2 diodes protect the 5 V and 3 V pins from external power supplies:

- 5 V and 3 V can be used as output power supplies when another application board is connected to pins P1 and P2.
In this case, the 5 V and 3 V pins deliver a 5 V or 3 V power supply and the power consumption must be lower than 100 mA.
- 5 V can also be used as input power supplies, e.g. when the USB connector is not connected to the PC.
In this case, the STM32F072 discovery board must be powered by a power supply unit or by an auxiliary equipment complying with standard EN-60950-1: 2006+A11/2009, and must be Safety Extra Low Voltage (SELV) with limited power capability.

4.3 LEDs

- LD1 COM: LD1 default status is red. LD1 turns to green to indicate that communications are in progress between the PC and the ST-LINK/V2.
- LD2 PWR: This red LED indicates that the board is powered.
- User LD3: This orange user LED is connected to the I/O PC8 of the STM32F072RBT6.
- User LD4: This green user LED is connected to the I/O PC9 of the STM32F072RBT6.
- User LD5: This red user LED is connected to the I/O PC6 of the STM32F072RBT6.
- User LD6: This blue user LED is connected to the I/O PC7 of the STM32F072RBT6.

4.4 Pushbuttons

B1 USER: User and Wake-Up button connected to the I/O PA0 of the STM32F072RBT6.

B2 RESET: The pushbutton connected to NRST is used to RESET the STM32F072RBT6.

4.5 Linear touch sensor / touch keys

To demonstrate touch sensing capabilities, the STM32F072 discovery includes a linear touch sensor which can be used either as a 3-position linear touch sensor or as 4 touch keys. Both functions are illustrated in the demonstration software.

3 pairs of I/O ports are assigned to the linear touch sensor / touch keys. Each pair must belong to the same analog switch group:

- PA2, PA3 (group 1)
- PA6, PA7 (group 2)
- PB0, PB1 (group 3)

To minimize the noise, these pairs are dedicated to the linear touch sensor and the touch keys and are not connected to external headers. To design a touch sensing application, refer to the following documentation and firmware:

- For details concerning I/O ports, refer to the STM32F072RBT6 datasheet.
- For information on software development, see DISCOVER application software on www.st.com/stm32f0-discovery.
- For more detail concerning touch sensing application design and layout, refer to AN2869 -Guidelines for designing touch sensing applications.
- STM32 touch sensing library available from www.st.com/stm32f0-discovery.

4.6 USB device support

The STM32F072RBT6 MCU is also used to drive the second USB mini-B connector (USB USER) which allows the board to be used as a USB Device. The STM32F072 discovery can then act as a USB joystick, mouse, or other similar device. If both USBs are connected, diodes D1 and D2 protect the board and use the power from the USB ST-LINK.

The board can be powered through this USB USER connector, in which case LED2 PWR lights up, LED1 COM blinks and it can run an application in standalone mode.

The STM32F072RBT6 MCU controls the USB USER through PA11 and PA12.

4.7 BOOT0 configuration

BOOT0 is at level "0" through a pull-down R33. If you want to set BOOT0 at level "1", it can be configured by setting a jumper between P2.6 (BOOT0) and P2.5 (VDD).

This facility is offered for fast and instantaneous configuration.

Note: If you need to set BOOT0 at level "1" continuously, then unsolder the resistor R33 to avoid a consumption of 6 mA while connecting pin P2.6 (BOOT0) and P2.5 (VDD) with a jumper or with a wire.

4.8 Embedded USB Bootloader

The STM32F072 line embeds a bootloader allowing to program blanked device or to upgrade the device firmware over the USB without the need of a specific programmer. When using this discovery kit, the STM32F072RBT6 MCU firmware can be thus programmed through the second USB mini-B connector (USER USB).

To program the microcontroller FLASH using this approach, a jumper must be set between BOOT0 (P2.6) and VDD (P2.5), and a cable connected between the USER USB connector of the board and a PC. On the PC side, it is required to use the Device Firmware Upgrade Utility named "DfuSe". This software (STSW-STM32080) and its associated user manual (UM0412) are available from www.st.com.

Several application notes are also available on that topic.

- AN2606: STM32™ Microcontroller system memory boot mode
- AN3156: USB DFU protocol used in the STM32™ bootloader

Note: ST-LINK utilities must not be used when DFU Utility is running.

4.9 Gyroscope MEMS (ST MEMS L3GD20)

The L3GD20 is an ultra-compact, low-power, three-axis angular rate sensor. It includes a sensing element and an IC interface able to provide the measured angular rate to the external world through the I2C/SPI serial interface.

The L3GD20 has dynamically user-selectable full scales of ± 250 dps/ 500 dps/ ± 2000 dps and is capable of measuring rates.

The STM32F072RBT6 MCU controls this motion sensor through the SPI interface.

4.10 JP2 (Idd)

Jumper JP2, labeled Idd, allows the consumption of STM32F072RBT6 to be measured by removing the jumper and connecting an ammeter.

- Jumper on: STM32F072RBT6 is powered (default).
- Jumper off: an ammeter must be connected to measure the STM32F072RBT6 current, (if there is no ammeter, the STM32F072RBT6 is not powered).

4.11 Extension and RF EEprom connector

This connector is able to accept an Extension board or the RF EEprom board ANT7-M24LR-A (see AN2972 for more details).

Figure 7. Extension and RF EEprom connector

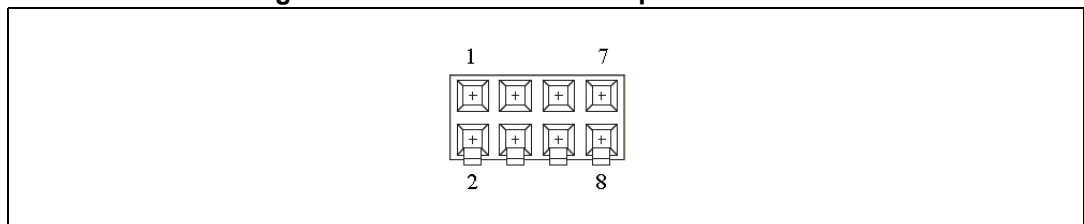


Table 4. Extension and RF EEprom connector (CN3)

Pin	CN3	Designation
1	I2C SDA	Data signal for I2C
2	NC	Not Connected
3	I2C SCL	Clock signal for I2C
4	EXT_RESET	RESET signal for Extension board
5	3V	3 Volts power supply
6	NC	Not Connected
7	GND	Ground
8	5V	5 Volts power supply

4.12 OSC clock

By default, the STM32F072RBT6 clock source is the High-speed internal (HSI) RC oscillator. Other clock sources are described hereunder.

4.12.1 OSC clock supply

If PF0 and PF1 are only used as GPIOs instead of as a clock, then SB17 and SB18 are CLOSED and R36 and R37 are removed (SB19 must be OPEN).

- MCO from ST-LINK (from MCO of the STM32F103). This frequency cannot be changed, it is fixed at 8 MHz and connected to PF0-OSC_IN of the STM32F072RBT6. The required configuration is:
 - SB19 CLOSED and SB17 OPEN
 - R36 removed
- Oscillator onboard (from X3 crystal, not provided). For typical frequencies and its capacitors and resistors, please refer to the STM32F072RBT6 Datasheet. The required configuration is:
 - SB17, SB18, SB19 OPEN
 - X3, R36, R37, C22, C23 soldered
- Oscillator from external PF0 (from external oscillator through pin 7 of the P1 connector). The required configuration is:
 - SB17 CLOSED
 - SB19 OPEN
 - R36 removed

4.12.2 OSC 32 KHz clock supply

If PC14 and PC15 are only used as GPIOs instead of as a clock, then SB13 and SB14 are CLOSED, and R34 and R35 are removed.

- Oscillator onboard (from X2 Crystal, not provided). The required configuration is:
 - SB13, SB14 OPEN
 - X2, C19, C20, R21, R34, R35 soldered
- Oscillator from external PC14 (from external oscillator through the pin 5 of P1 connector). The required configuration is:
 - SB14 CLOSED
 - R35 removed

4.13 Solder bridges

Table 5. Solder bridges

Bridge	State	Description
SB17,18 (X3 crystal)	ON	PF0, PF1 are connected to P1 (R36, R37 must not be fitted and SB19 must be OFF).
	OFF	X3, C22, C23, R36 and R37 provide a clock. PF0, PF1 are disconnected from P1.
SB13,14 (X2 crystal)	ON	PC14, PC15 are only connected to P1. Remove only R34, R35
	OFF	X2, C19, C20, R34 and R35 deliver a 32 KHz clock. PC14, PC15 are not connected to P1.
SB19 (MCO)	OFF	MCO signal of STM32F103C8T6 is not used.
	ON	MCO clock signal from STM32F103C8T6 is connected to OSC_IN of STM32F072RBT6. (SB17 must be OFF).
SB2,4,7,9 (Default)	ON	Reserved, do not modify.
SB1,3,6,8 (Reserved)	OFF	Reserved, do not modify.
SB24,25 (GND,VDD)	ON	Reserved, do not modify.
SB11,12 (RX,TX)	OFF	Reserved, do not modify
SB27,28,29,30,31,32 (touch sensor)	OFF	Reserved to the linear touch sensor. PA2,3,6,7 and PB0,1 are not available.
	ON	PA2,3,6,7 and PB0,1 are available then remove R38,39,40 and C26,27,28. (the linear touch sensor is not available)
SB20,23 (USB-USER)	OFF	Reserved to the USB USER CN2. PA11,12 are not available.
	ON	PA11,12 are available then remove R12,13. (the USB USER CN2)
SB21 (B1-USER)	ON	B1 pushbutton is connected to PA0.
	OFF	B1 pushbutton is not connected to PA0.
SB22 (B2-RESET)	ON	B2 pushbutton is connected to the NRST pin of the STM32F072RBT6 MCU.
	OFF	B2 pushbutton is not connected the NRST pin of the STM32F072RBT6 MCU.
SB10 (NRST)	ON	T_NRST pin of the STM32F103C8T6 (ST-LINK/V2) and CN4.5 are connected to the NRST pin of the STM32F072RBT6 MCU.
	OFF	T_NRST pin of the STM32F103C8T6 (ST-LINK/V2) and CN4.5 are not connected to the NRST pin of the STM32F072RBT6 MCU.
SB5 (STM_RST)	OFF	No incidence on STM32F103C8T6 (ST-LINK/V2) NRST signal.
	ON	STM32F103C8T6 (ST-LINK/V2) NRST signal is connected to GND.
SB15 (VBAT)	ON	VBAT Power is supplied by VDD
	OFF	VBAT Power is supplied by P1.3 connector
SB16 (VDDIO2)	ON	VDDIO2 Power is supplied by VDD
	OFF	VDDIO2 Power is supplied by P2.18 connector
SB26 (VDDA)	ON	VDDA Power is supplied by VDD through L1 inductance.
	OFF	VDDA Power is supplied by P2.19 connector

4.14 Extension connectors

The male headers P1 and P2 can connect the STM32F072 discovery board to a standard prototyping/wrapping board. STM32F072RBT6 GPI/Os are available on these connectors. P1 and P2 can also be probed by an oscilloscope, logical analyzer or voltmeter.

Table 6. MCU pin description versus board function

MCU pin		Board function													
Main function	LQFP64 pin num.	System	Linear touch sensor	L3GD20	EXT/ RF-E2P	Pushbutton	LED	USB USER	Free I/O	Power supply	CN3	CN4	P1	P2	SBx ⁽¹⁾
BOOT0	60	BOOT0	-	-	-	-	-	-	-	-	-	-	-	6	-
NRST	7	NRST	-	-	-	RESET	-	-	-	-	-	5	10	-	-
PA0	14	-	-	-	-	USER	-	-	-	-	-	-	15	-	-
PA1	15	-	-	-	-	-	-	-	PA1	-	-	-	16	-	-
PA2	16	-	TS_G1_IO3	-	-	-	-	-	-	-	-	-	17	-	SB27
PA3	17	-	TS_G1_IO4	-	-	-	-	-	-	-	-	-	18	-	SB28
PA4	20	-	-	-	-	-	-	-	PA4	-	-	-	21	-	-
PA5	21	-	-	-	-	-	-	-	PA5	-	-	-	22	-	-
PA6	22	-	TS_G2_IO3	-	-	-	-	-	-	-	-	-	23	-	SB29
PA7	23	-	TS_G2_IO4	-	-	-	-	-	-	-	-	-	24	-	SB30
PA8	41	-	-	-	-	-	-	-	PA8	-	-	-	-	25	-
PA9	42	-	-	-	-	-	-	-	PA9	-	-	-	-	24	-



Table 6. MCU pin description versus board function (continued)

MCU pin		Board function													
Main function	LQFP64 pin num.	System	Linear touch sensor	L3GD20	EXT/ RF-E2P	Pushbutton	LED	USB USER	Free I/O	Power supply	CN3	CN4	P1	P2	SBx ⁽¹⁾
PA10	43	PA10	23	.
PA11	44	DM	22	SB23
PA12	45	DP	21	SB20
PA13	46	SWDIO	4	.	20	.
PA14	49	SWCLK	2	.	17	.
PA15	50	PA15	16	.
PB0	26	.	TS_G3_IO2	27	.	SB31
PB1	27	.	TS_G3_IO3	28	.	SB32
PB2	28	PB2	.	.	.	29	.	.
PB3	55	PB3	11	.
PB4	56	PB4	10	.
PB5	57	PB5	9	.
PB6	58	PB6	8	.
PB7	59	PB7	7	.
PB8	61	PB8	4	.
PB9	62	PB9	3	.
PB10	29	.	.	.	SCL	3	.	30	.	.

Table 6. MCU pin description versus board function (continued)

MCU pin		Board function													
Main function	LQFP64 pin num.	System	Linear touch sensor	L3GD20	EXT/ RF-E2P	Pushbutton	LED	USB USER	Free I/O	Power supply	CN3	CN4	P1	P2	SBX ⁽¹⁾
PB11	30	-	-	-	SDA	-	-	-	-	-	1	-	31	-	-
PB12	33	-	-	-	-	-	-	-	PB12	-	-	-	32	-	-
PB13	34	-	-	SCL/ SPC	-	-	-	-	-	-	-	-	-	32	-
PB14	35	-	-	SDO	-	-	-	-	-	-	-	-	-	31	-
PB15	36	-	-	SDA/ SDI	-	-	-	-	-	-	-	-	-	30	-
PC0	8	-	-	CS_I2C/ SPI	-	-	-	-	-	-	-	-	11	-	-
PC1	9	-	-	INT1	-	-	-	-	-	-	-	-	12	-	-
PC2	10	-	-	INT2	-	-	-	-	-	-	-	-	13	-	-
PC3	11	-	-	-	-	-	-	-	PC3	-	-	-	14	-	-
PC4	24	-	-	-	-	-	-	-	PC4	-	-	-	25	-	-
PC5	25	-	-	-	EXT_RESET	-	-	-	-	-	4	-	26	-	-
PC6	37	-	-	-	-	-	RED	-	-	-	-	-	-	29	-
PC7	38	-	-	-	-	-	BLUE	-	-	-	-	-	-	28	-
PC8	39	-	-	-	-	-	ORANGE	-	-	-	-	-	-	27	-
PC9	40	-	-	-	-	-	GREEN	-	-	-	-	-	-	26	-
PC10	51	-	-	-	-	-	-	-	PC10	-	-	-	-	15	-

Table 6. MCU pin description versus board function (continued)

MCU pin		Board function													
Main function	LQFP64 pin num.	System	Linear touch sensor	L3GD20	EXT/ RF-E2P	Pushbutton	LED	USB USER	Free I/O	Power supply	CN3	CN4	P1	P2	SBX ⁽¹⁾
PC11	52	PC11	.	.	.		14	.
PC12	53	PC12	.	.	.		13	.
PC13	2	PC13	.	.	.	4	.	.
PC14	3	OSC32_IN	5	.	SB14
PC15	4	OSC32_OUT	6	.	SB13
PD2	54	PD2	12	.
PF0	5	OSC_IN	7	.	SB17
PF1	6	OSC_OUT	8	.	SB18
VBAT	1	VDD	.	.	3	.	SB15
VDDA	13	VDD	.	.	.	19	SB26
VDDIO2	48	VDD	.	.	.	18	SB16
.	VDD	.	.	20	5	.
.	5V	8	.	.	1	.
.	3V	5	.	1	.	.
.	GND	7	3	2	2	.
.	GND	.	.	9	.	.

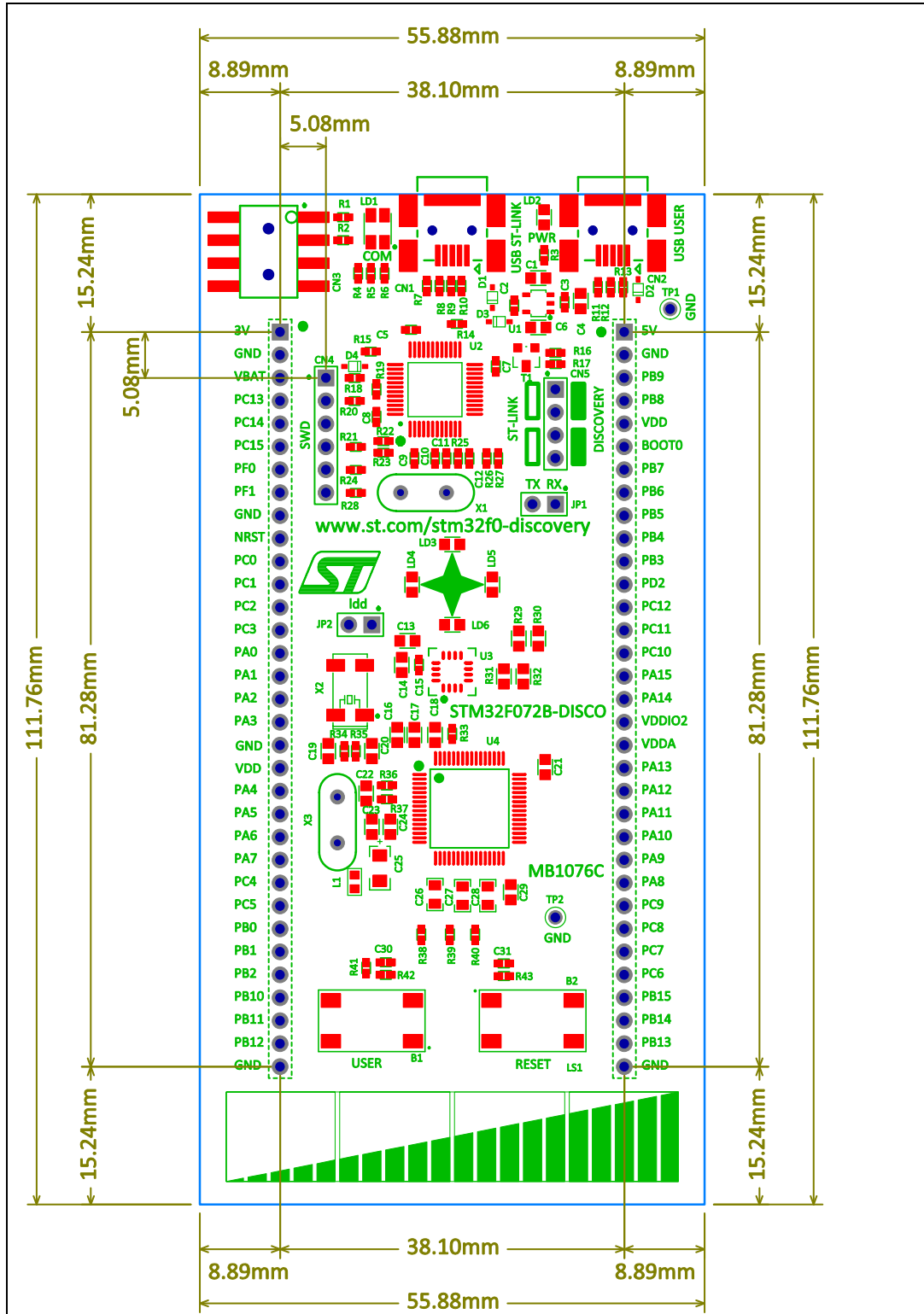
Table 6. MCU pin description versus board function (continued)

MCU pin		Board function													
Main function	LQFP64 pin num.	System	Linear touch sensor	L3GD20	EXT/ RF-E2P	Pushbutton	LED	USB USER	Free I/O	Power supply	CN3	CN4	P1	P2	SBX ⁽¹⁾
-	-	-	-	-	-	-	-	-	-	GND	-	-	19	-	-
-	-	-	-	-	-	-	-	-	-	GND	-	-	33	33	-

1. Depending on SBx, connected to STM32F072RBT6 MCU pin or board function. (See Schematics for more detail)

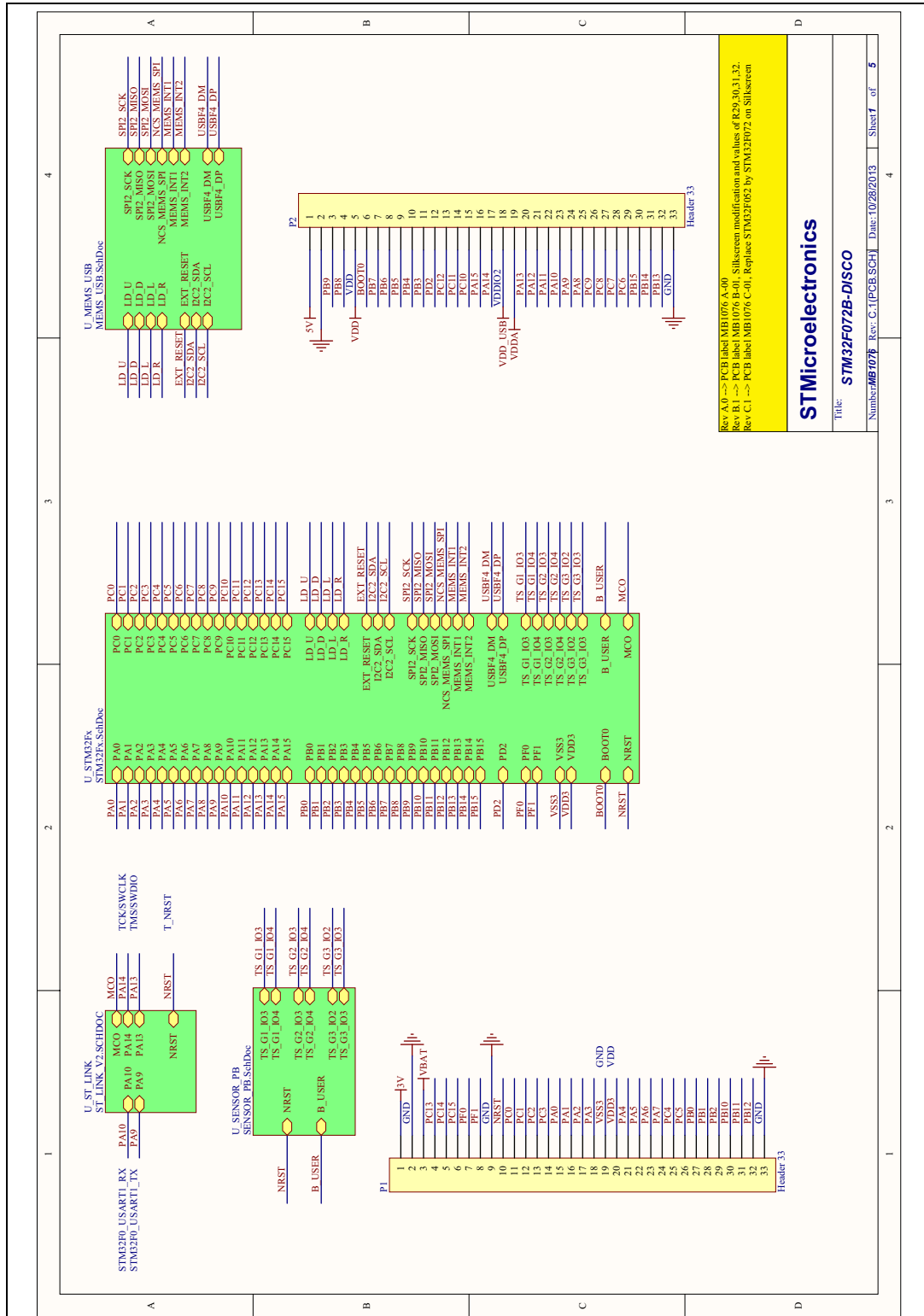
5 Mechanical drawing

Figure 8. STM32F072 discovery board mechanical drawing



6 Electrical schematics

Figure 9. STM32F072 discovery board



Rev A.0 -> PCB label MB1076 A-00
 Rev B.1 -> PCB label MB1076 B-01, Silkscreen modification and values of R29,R30,R31,R32.
 Rev C.1 -> PCB label MB1076 C-01, Replace STM32F062 by STM32F072 on Silkscreen

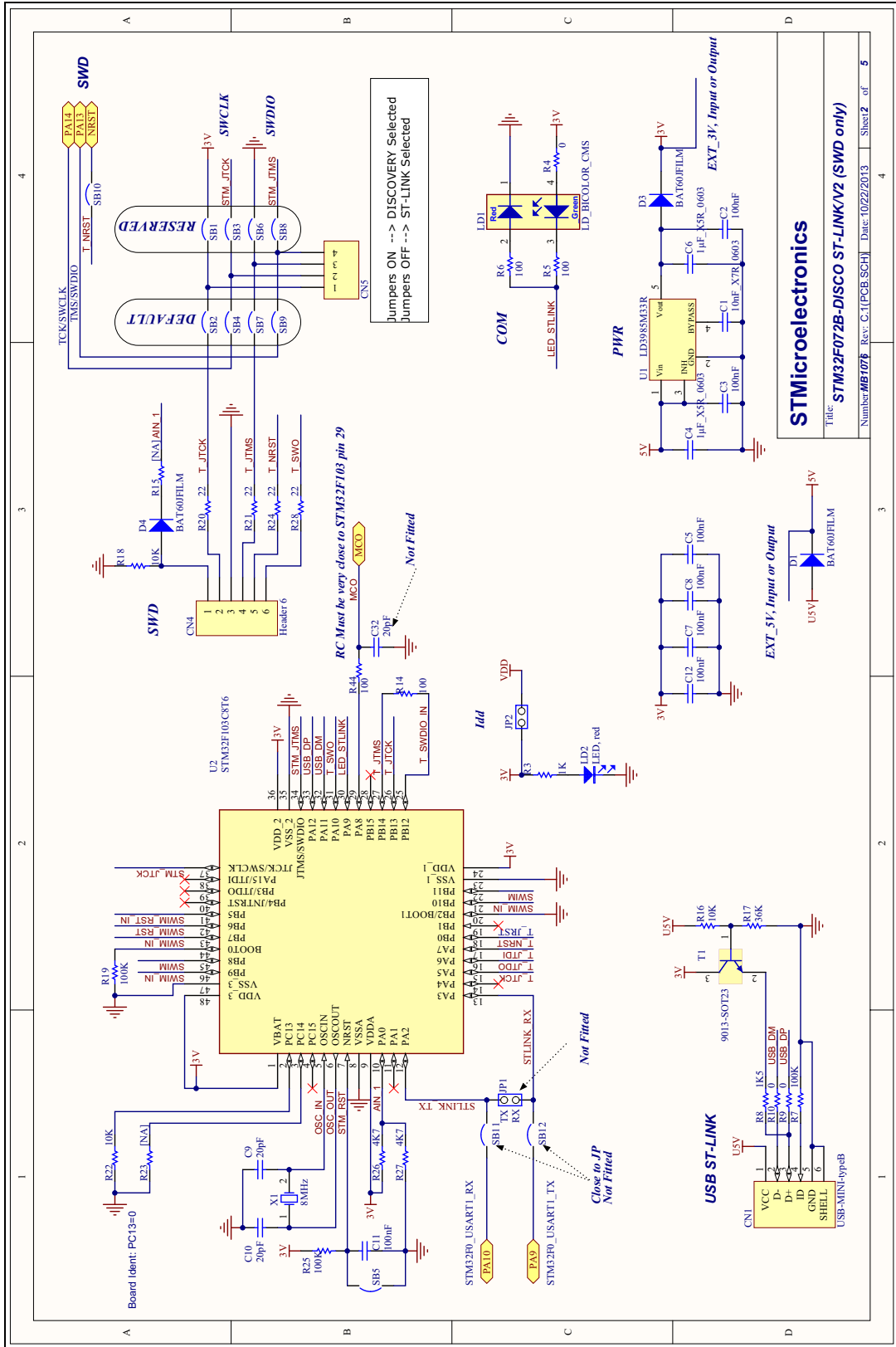
STMicroelectronics

Title: **STM32F072B-DISCO**

Number: **MB1076** Rev: **C.1** [PCB_SCH] Date: **10/28/2013** Sheet **1** of **5**



Figure 10. ST-LINK/V2 (SWD only)



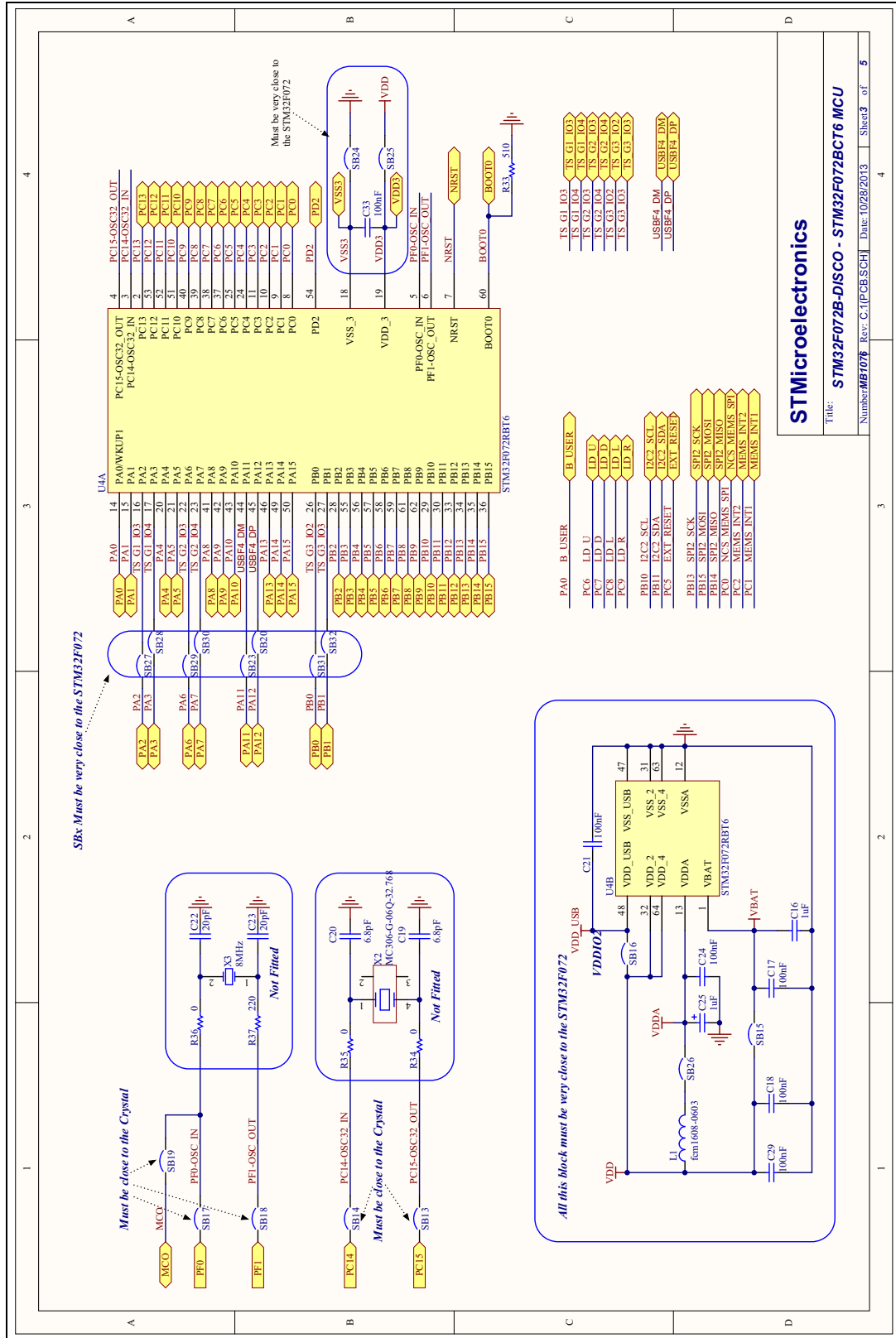
STMicroelectronics

Title: STM32F072B-DISCO ST-LINK/V2 (SWD only)

Number: MB1078 Rev: C.1(PCB_SCH) Date: 10/22/2013

Sheet 2 of 5

Figure 11. STM32F072RBT6 MCU



STMicroelectronics
Title: STM32F072B-DISCO - STM32F072BCT6 MCU
Number: 48107 Rev: C.1 [PCB.SCH] Date: 10/28/2013 Sheet: 3 of 5



Figure 12. MEMS and USB

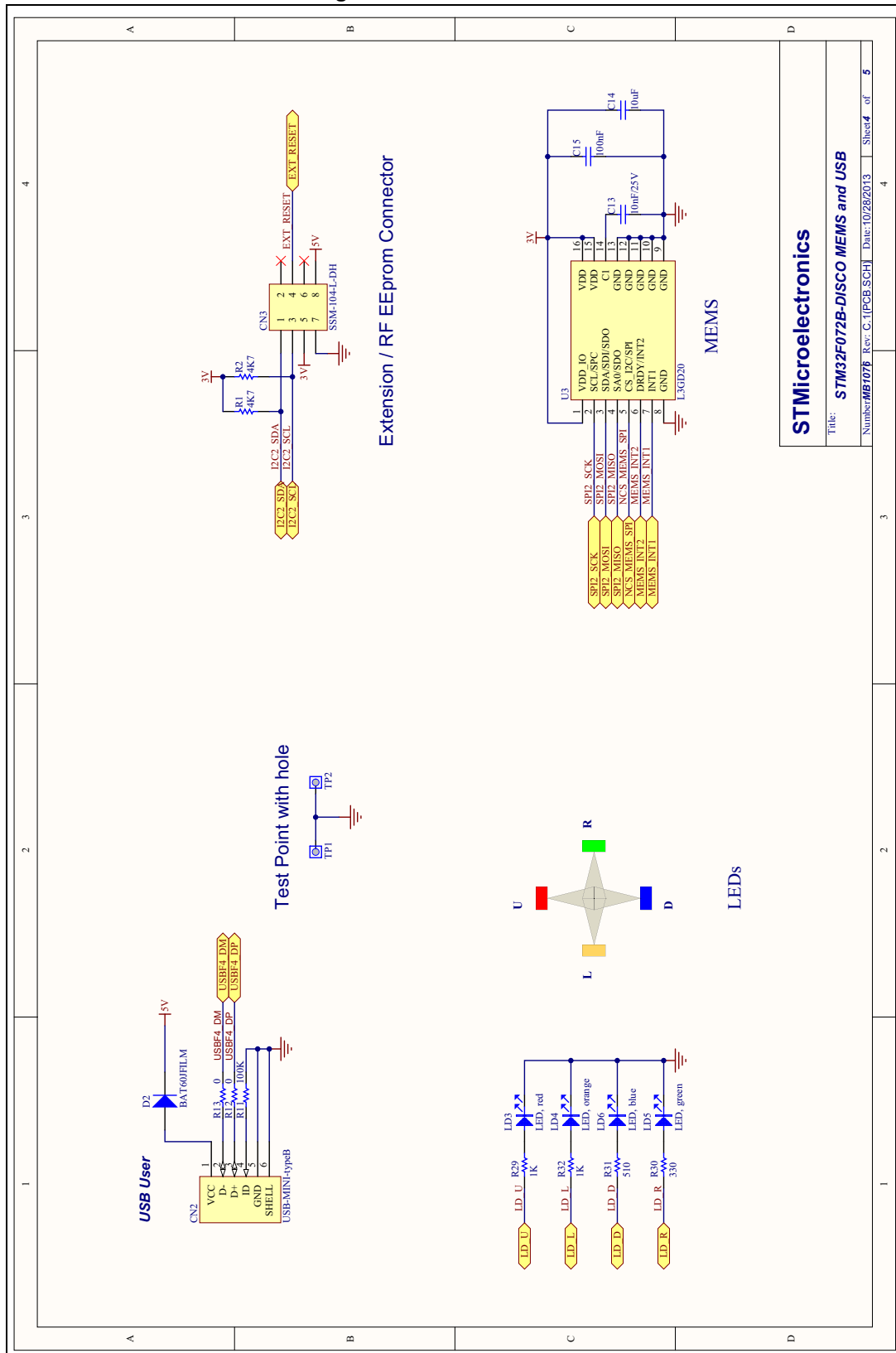
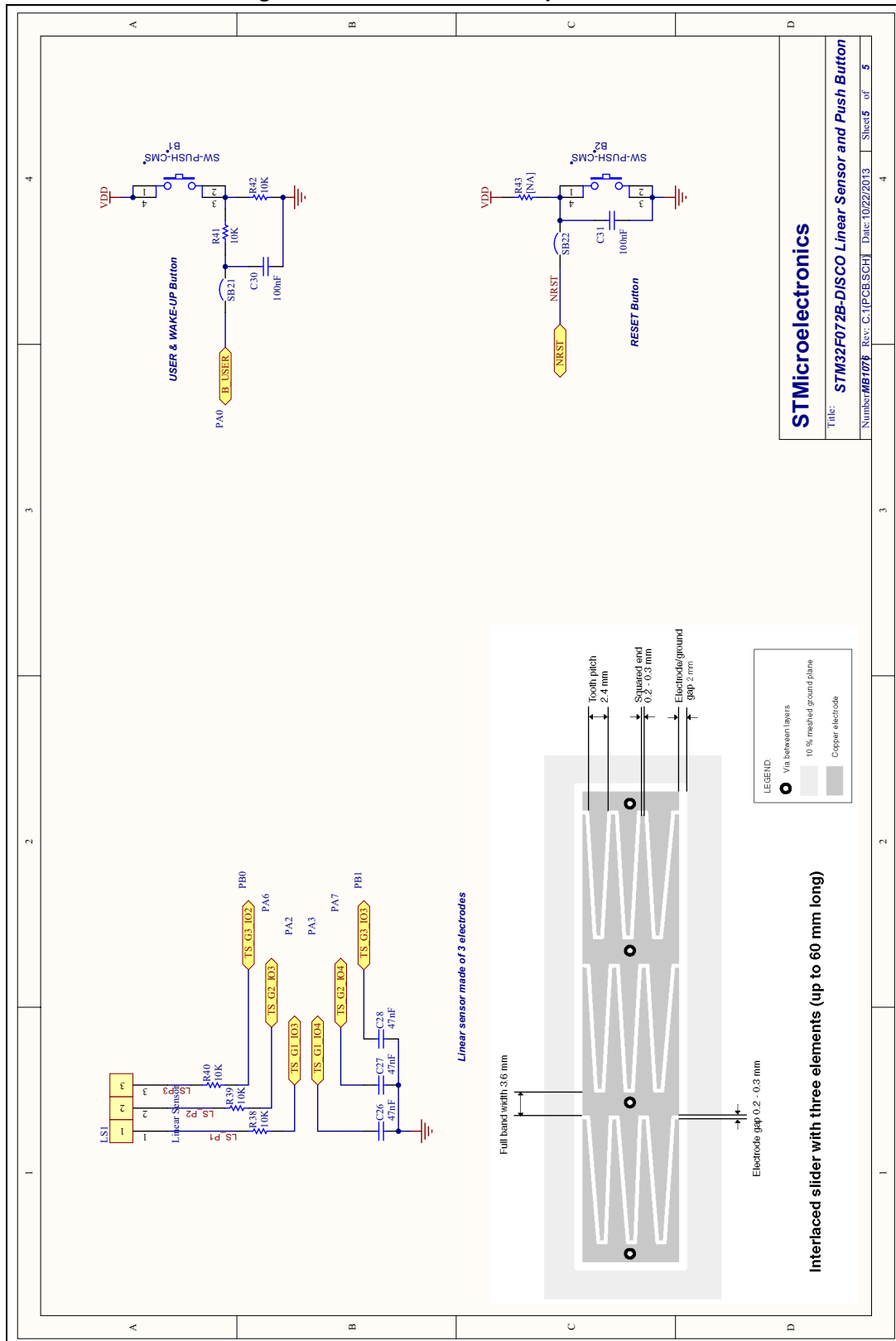


Figure 13. Linear sensor and pushbutton



STMicroelectronics

Title: **STM32F072B-DISCO Linear Sensor and Push Button**

Number: **MB107** Rev: C.1 (PCB SCH) Date: 10/22/2013 Sheet 5 of 5

7 Revision history

Table 7. Document revision history

Date	Revision	Changes
18-Dec-2013	1	Initial release.
23-June-2014	2	Updated <i>Figure 1: STM32F072 discovery board</i> . Added <i>Section 4.7</i> and <i>Section 4.8</i> . Added <i>Figure 12: MEMS and USB</i> and <i>Figure 13: Linear sensor and pushbutton</i> .

Please Read Carefully:

Information in this document is provided solely in connection with ST products. STMicroelectronics NV and its subsidiaries ("ST") reserve the right to make changes, corrections, modifications or improvements, to this document, and the products and services described herein at any time, without notice.

All ST products are sold pursuant to ST's terms and conditions of sale.

Purchasers are solely responsible for the choice, selection and use of the ST products and services described herein, and ST assumes no liability whatsoever relating to the choice, selection or use of the ST products and services described herein.

No license, express or implied, by estoppel or otherwise, to any intellectual property rights is granted under this document. If any part of this document refers to any third party products or services it shall not be deemed a license grant by ST for the use of such third party products or services, or any intellectual property contained therein or considered as a warranty covering the use in any manner whatsoever of such third party products or services or any intellectual property contained therein.

UNLESS OTHERWISE SET FORTH IN ST'S TERMS AND CONDITIONS OF SALE ST DISCLAIMS ANY EXPRESS OR IMPLIED WARRANTY WITH RESPECT TO THE USE AND/OR SALE OF ST PRODUCTS INCLUDING WITHOUT LIMITATION IMPLIED WARRANTIES OF MERCHANTABILITY, FITNESS FOR A PARTICULAR PURPOSE (AND THEIR EQUIVALENTS UNDER THE LAWS OF ANY JURISDICTION), OR INFRINGEMENT OF ANY PATENT, COPYRIGHT OR OTHER INTELLECTUAL PROPERTY RIGHT.

ST PRODUCTS ARE NOT DESIGNED OR AUTHORIZED FOR USE IN: (A) SAFETY CRITICAL APPLICATIONS SUCH AS LIFE SUPPORTING, ACTIVE IMPLANTED DEVICES OR SYSTEMS WITH PRODUCT FUNCTIONAL SAFETY REQUIREMENTS; (B) AERONAUTIC APPLICATIONS; (C) AUTOMOTIVE APPLICATIONS OR ENVIRONMENTS, AND/OR (D) AEROSPACE APPLICATIONS OR ENVIRONMENTS. WHERE ST PRODUCTS ARE NOT DESIGNED FOR SUCH USE, THE PURCHASER SHALL USE PRODUCTS AT PURCHASER'S SOLE RISK, EVEN IF ST HAS BEEN INFORMED IN WRITING OF SUCH USAGE, UNLESS A PRODUCT IS EXPRESSLY DESIGNATED BY ST AS BEING INTENDED FOR "AUTOMOTIVE, AUTOMOTIVE SAFETY OR MEDICAL" INDUSTRY DOMAINS ACCORDING TO ST PRODUCT DESIGN SPECIFICATIONS. PRODUCTS FORMALLY ESCC, QML OR JAN QUALIFIED ARE DEEMED SUITABLE FOR USE IN AEROSPACE BY THE CORRESPONDING GOVERNMENTAL AGENCY.

Resale of ST products with provisions different from the statements and/or technical features set forth in this document shall immediately void any warranty granted by ST for the ST product or service described herein and shall not create or extend in any manner whatsoever, any liability of ST.

ST and the ST logo are trademarks or registered trademarks of ST in various countries.

Information in this document supersedes and replaces all information previously supplied.

The ST logo is a registered trademark of STMicroelectronics. All other names are the property of their respective owners.

© 2014 STMicroelectronics - All rights reserved

STMicroelectronics group of companies

Australia - Belgium - Brazil - Canada - China - Czech Republic - Finland - France - Germany - Hong Kong - India - Israel - Italy - Japan - Malaysia - Malta - Morocco - Philippines - Singapore - Spain - Sweden - Switzerland - United Kingdom - United States of America

www.st.com

