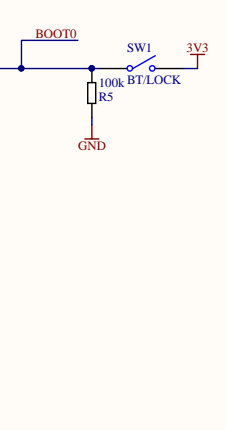
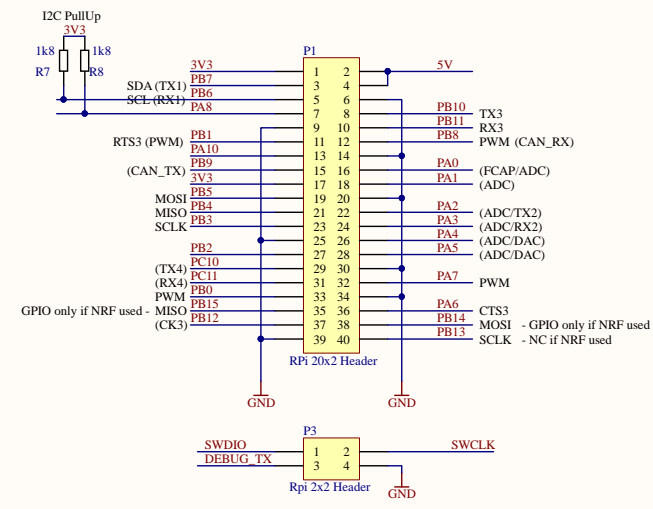
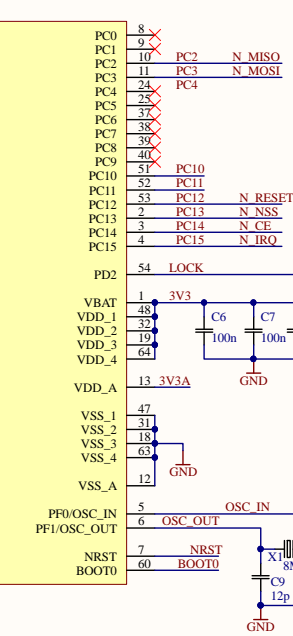
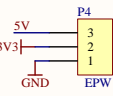


PA0	14	PA0	8
PA1	15	PA1	9
PA2	16	PA2	10
PA3	17	PA3	11
PA4	20	PA4	24
PA5	21	PA5	25
PA6	22	PA6	33
PA7	23	PA7	35
PA8	41	PA8	39
PA9	42	PA9	40
PA10	43	PA10	51
USB_N	44	PA11/D-	52
USB_P	45	PA12/D+	53
SWDIO	PA13	PA13/SWDIO	2
SWCLK	PA14	PA14/SWCLK	3
LED	PA15	PA15	4
PB0	26	PB0	54
PB1	27	PB1	LOCK
PB2	28	PB2	1
PB3	55	PB3	48
PB4	56	PB4	32
PB5	57	PB5	19
PB6	58	PB6	64
PB7	59	PB7	VDD_1
PB8	61	PB8	VDD_2
PB9	62	PB9	VDD_3
PB10	29	PB10	VDD_4
PB11	30	PB11	VDD_A
PB12	33	PB12	47
PB13	34	PB13	31
PB14	35	PB14	18
PB15	36	PB15	63
			12
			60
			7
			6
			5
			4
			3
			2
			1



Title		
Size	Number	Revision
A3		
Date:	4.5.2018	Sheet of
File:	D:\GEX\GEX_Zero\GEX_Zero.SchDoc	Drawn By: